

Led there be Light!

GPL-GRG-5.3-5-27

Glass LED MR16 5W DATASHEET





Copernicusweg 5
3752 LZ Bunschoten Nederland
Postbus 224
3750 GE Bunschoten Nederland

Led there be Light!

GPL-GRG-5.3-5-27

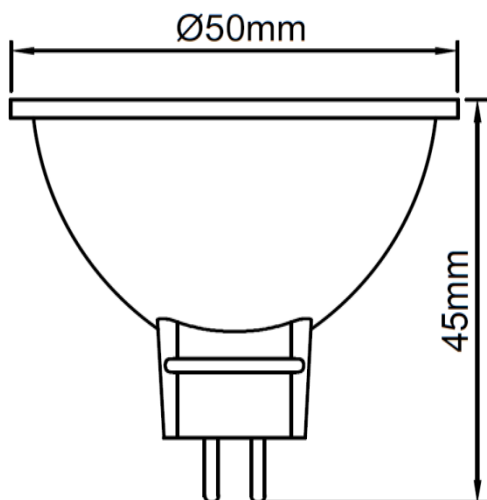
FEATURES

High quality replacement for 30-35W halogen MR16 lamps. Consuming Only 5 watts and save more than 80% energy costs over conventional lamps.

- High quality glass housing heatsink
- Same appearance with halogens with COB LED light source
- Self-designed driver with over 10 year's experience
- Instant-on with no warm up time
- Free of harmful mercury, environment friendly
- 2700K/3000K/4000K/5000K/6000K wide CCT options available
- ETL/cETL/CE approved
- 2 years warranty

DIMENSION

Led there be Light!



Item No.:	Glass MR 16 GU 5.3
Power:	5W
Input Voltage:	12V (50/60Hz)
LED Type:	COB LED (Chips On Board)
CCT	2700K/3000K/4000K/5000K/6000K
CRI:	RA80
Lumen Flux:	350-400lm
Beam angle:	36 Degree
Dimmable:	No
Lifespan:	>25.000H



Copernicusweg 5
3752 LZ Bunschoten Nederland
Postbus 224
3750 GE Bunschoten Nederland

Led there be Light!

Socket:	GU5.3
Package	200pcs/ctn,58×58x21cm

- Rated for indoor

INSTALLATION

- use only; do not use where exposed to weather
- Not recommend for use in totally enclosed fixtures